



Amadeo V-DR mini complete X-ray solution for small animal practices

Space-saving complete X-ray system with rotating monitor arm for use with standard wall sockets

The **Amadeo V-DR mini** X-ray system has been developed especially for the requirements of veterinary practices and is particularly suited for small animal practices. The patient table is equipped with a floating tabletop and silent brakes. It allows for generous movement and can be operated from the front panel. The monitor arm can be rotated by 180° and height adjustable, enabling comfortable operation of the **dicomPACS® DX-R** acquisition and diagnostic software.

The 220V high frequency generator is incorporated directly into the X-ray table, using minimal space. The compact build of the **Amadeo V-DR mini** makes it ideal for installation in confined spaces.

The **Amadeo V-DR mini** X-ray systems are available in three options:

- **Amadeo V-DR mini** with built-in CsI X-ray detector 17" x 14" (active area 43.3 x 35.5 cm)
- **Amadeo V-DR mini** with built-in CsI X-ray detector 17" x 17" (active area 43.2 x 43.2 cm)
- **Amadeo V-AX mini** with film or CR cassettes or existing DR system without generator control



System benefits

Economical: Can be used with a standard wall socket (32 kW/220V) – no major reconstruction work necessary

Comfortable: floating tabletop with silent brakes – generous movement

Convenient: rotating (180°) monitor arm bracket with professional, sturdy support arm – easy operation of the **dicomPACS® DX-R** acquisition software

Straightforward: rotatable light-beam diaphragm with LED lighting/timer – can be switched on and off by foot switch

Compact, small and space-saving – 220V high frequency generator integrated directly in the X-ray table

Efficient: integration into your existing patient management system – patient data at the push of a button

Excellent: high-quality X-ray detector based on a caesium iodide (CsI) scintillator – top image quality even at low X-ray doses

Optimal: removable grid for perfect image quality

User friendly: intuitive OR Technology acquisition software (**dicomPACS® DX-R**) including free special measuring functions

Fast: Shortly after taking the shot (6 - 8 seconds), the X-ray image is already available for viewing and diagnostic evaluation

Cleverly designed: integrated X-ray positioning guide (for examinations of cats and dogs)

Compact construction: PC integrated into the table – no additional cables or mounts necessary

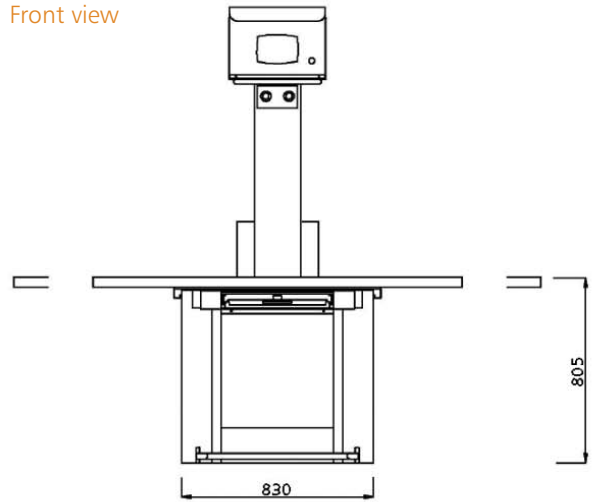
Safe: Clamps for attaching restraints – staff can leave the controlled area during the shot



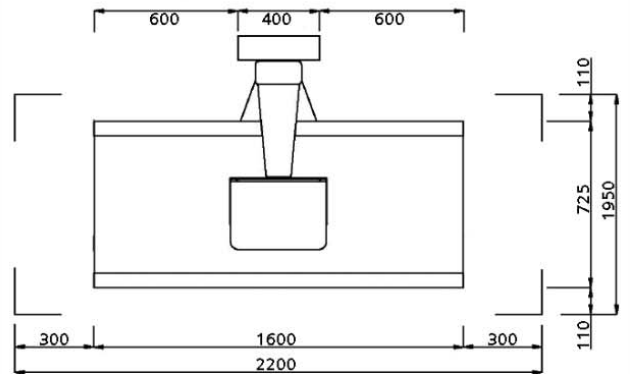


Measurements

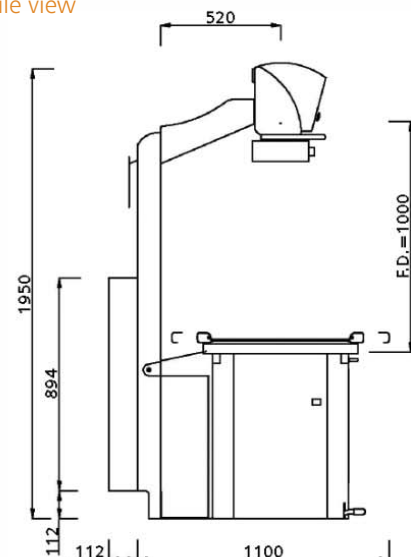
Front view



Top view



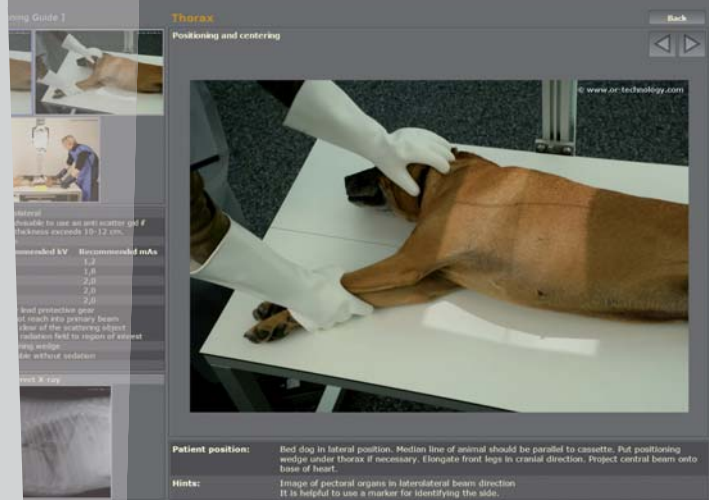
Profile view



More information about
Amadeo V-DR mini
 you can be found here:
www.or-technology.com

Advantages of professional acquisition software

- Modern graphical user interface (GUI) adaptable to almost any language, **touchscreen** operation – to ensure quick and efficient work and a smooth workflow
- Capture of patient data via **DICOM Worklist**, **BDT/GDT**, **HL7** or other protocols – data may also be captured manually
- Use of **DICOM Procedure Codes** for the transfer of all relevant examination data directly from the connected patient management system (HIS/RIS)
- Freely configurable** body parts with more than **200 projections** and numerous possible adjustments in veterinary medicine already included
- Safe and fast **registration of emergency patients** allowing the user to **switch between examinations** of a patient, for instance to avoid having to re-position the patient frequently
- Allows the user to **subsequently add images** to an examination, even after that examination has already been completed
- Special tools for veterinary medicine, such as an extra dialog box for patient and owner data, **integrated hip dysplasia measuring**, **MMP**, **TTA**, **TPLO** and **vertebral heart score (Buchanan)**, **special image filters**, **multi generator operation** for alternating between mobile and stationary X-ray systems and much more...
- Fully **integrated radiographic positioning guide** for each examination incl. comprehensive notes, photos and correct X-ray images
- Suited for use in dental medicine, e.g. with a digital dental sensor or a dental CR system



Standard components of the **Amadeo V-DR mini**

HF generator

32 kW HF generator for 230 V line voltage, 50/60 Hz single phase (standard socket), 115 V on request

- kV range from 40 - 125 kV
- mA Range 50 - 400 mA
- Switching time from 0.001 - 3.2 s

X-ray stand with table

- Table system with four way floating table top and silent brakes
- Large table top (160 x 72.5 cm) with a scratch resistant, dose optimised material
- Table height 80.5 cm
- X-ray stand with fixed SID = 100 cm
- Professional monitor arm holder for easy operation, 180° swivelling, height adjustable
- Rotatable collimator with LED light and timer, also switchable via foot switch
- Stable and durable design of all components
- Foot switch, 2-stage (collimator light on / X-ray shot)
- Weight approx. 270 kg

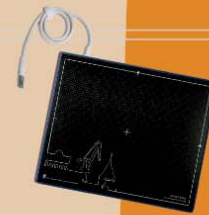


X-ray tube 125 kVp

Rotating anode X-ray tubes with double focus, focal spot 0.6 / 1.3 mm

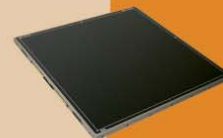
Direct radiography flat panel detector 35 cm x 43 cm

- Excellent image quality even on low dosage
- Scintillator based on amorphous Silicon (a-Si) with Caesium Iodide (CsI) - thick version for higher DQE
- Active area 43.3 x 35.5 cm (17" x 14")
- Pixel pitch 154 µm
- Resolution 2,816 (h) x 2,304 Pixel (v) (6.5 million pixel)



Direct radiography flat panel detector 43 cm x 43 cm

- Detector based on amorphous Silicon (a-Si) with Caesium Iodide (CsI) scintillator
- Excellent image quality even on low dosage (high DQE)
- Active area 43.2 x 43.2 cm (17.0" x 17.0")
- Pixel pitch 100 µm
- Resolution 4,320 (h) x 4,320 Pixel (v) (18.5 million pixel)



Operation by **dicomPACS® DX-R** acquisition station

Mini PC with 23" touch screen monitor (1,920 x 1,080 Pixel) with rotating (180°) monitor arm bracket with professional, sturdy support arm including **dicomPACS® DX-R** acquisition and diagnostic software with modern graphical user interface including basic software package and integrated X-ray positioning guide provides information on the correct adjustment technique for each examination, including:

- **dicomPACS® DX-R** Generator Control
- **dicomPACS® DX-R** DICOM Send SCU inkl. MPPS and Storage Commitment
- **dicomPACS® DX-R** DICOM Worklist SCU + **dicomPACS®** Connect
- **dicomPACS® DX-R** DICOM Patient CD
- **dicomPACS® DX-R** Cognition Optimised Processing



Fixing clamps

Clamps for holding ties to fix the animal in place so that staff can leave the controlled area during the shot



Warranty

24 month warranty for the X-ray table 12 month for the monoblock and tube

Specifications subject to revision without notice

The editor strives to impart correct and up to date information. The provided specifications are based on current knowledge and are subject to revision without notice. This brochure is subject to correction. The editor assumes no responsibility for the information being up to date, correct and complete.

All furnished logos, pictures and graphics are property of the particular company and subject to copyright of the licensor. Use, dissemination, distribution or copying of the pictures, logos or text compiled or processed by the editor is subject to our written consent. All rights reserved.

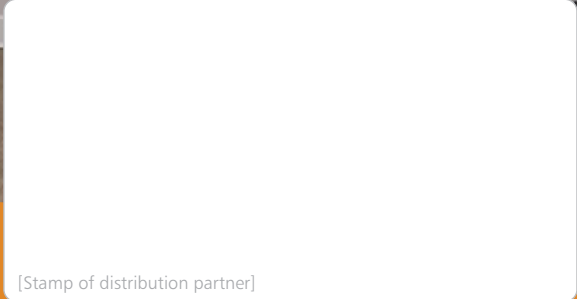
OR Technology

www.or-technology.com | X-perts in X-ray



OR Technology (Oehm und Rehbein GmbH), 18057 Rostock, Germany, Neptunallee 7c
Tel. +49 381 36 600 500, Fax +49 381 36 600 555
www.or-technology.com, info@or-technology.com

Info hotline: +49 381 36 600 600



[Stamp of distribution partner]